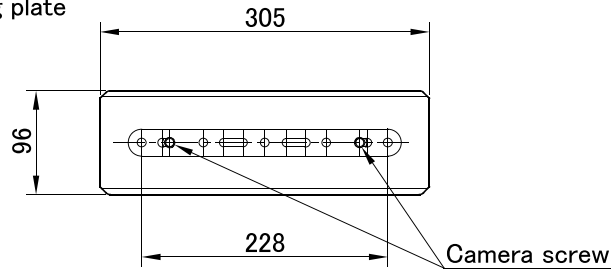


System	QH1 (Head)		
Payload	40 kg / 88 lb	Tilt angle	+90° / -70° (Limited to ±40° with maximum counterbalance)
Weight	Flat base : 12.7 kg / 27.9 lb	Pan angle	360°
	Ball : 13.8 kg / 30.4 lb	Counterbalance	Range : 15 to 35 kg / 33 to 77 lb (C.G. 125 mm) System : Continuous
Camera plate (Sliding range)	Sliding plate ±75 mm / 2.9"	Drag mode	7 STEP
Plate attachment	3/8-16UNC x 2	Temperature range	-20°C to +60°C / -4° F to +140° F
Spare screw	3/8-16UNC x 2	Head attachment	Flat base 150mm Ball *BL-150(Ball base adapter)
Bubble level	Illuminated	Pan handle	PH-15B x 2

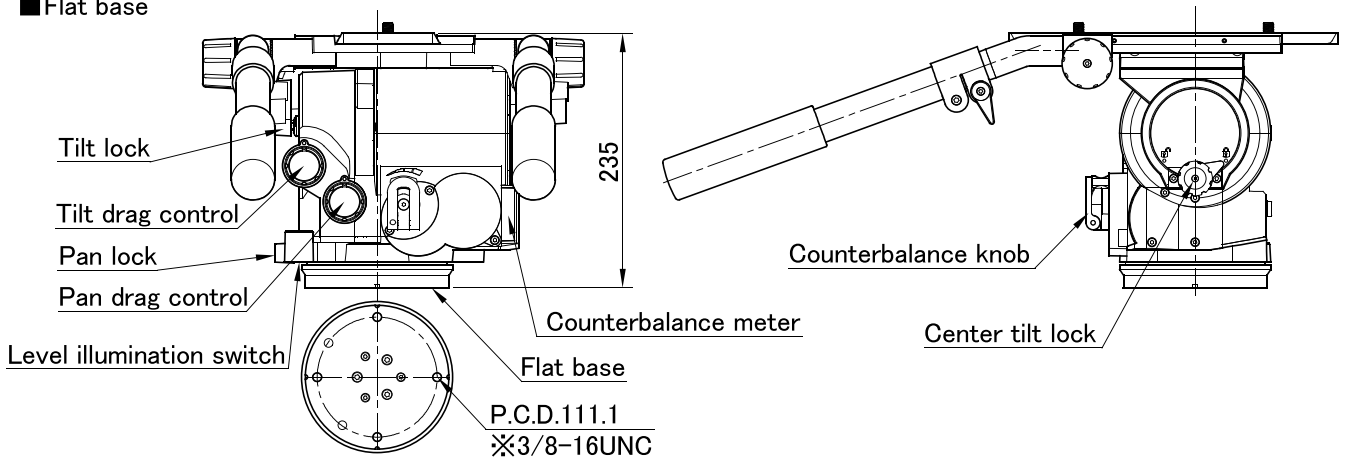
### Remarks

#### ■ Exterior dimensions (mm)

##### ■ Sliding plate



##### ■ Flat base



##### ■ Ball

