

HD VIDEO STUDIO



HS-2000 5-Channel HD Mobile Studio

Complete Five channel HD Mobile Video Studio

The Datavideo HS-2000 is a compact, broadcast quality HD-SDI mobile video studio ideal as a fly away kit.

The HS-2000 is a five channel 10-bit 1920x1080i or 1280x720p HD-SDI, HD-Component and DVI-D video & audio switcher. Advanced features such as a 17-inch multi-image video monitor displaying each source, together with preview and program.

The HS-2000 has a complete five way intercom system, supplied with four belt packs.

Other features include 14 pre-stored logos, digital clock display, five user setup, title overlay and DVI-D connection ideal for use with presentation software.

The integrated audio mixer with balanced XLR connectors allows up to four channels microphone or line audio inputs.

To avoid the mess and inconvenience of individual power supplies, the Datavideo HS-2000 comes with integrated power distribution centre, providing a simple and secure solution for connecting all integrated equipment from a single socket

Whether you're working in worship, education, conducting a live outside broadcast or shooting inside a production studio, the Datavideo SE-2000 HD video and audio switcher enables you to switch seamlessly between video and audio sources and blend high-quality digital content on the move, even without external genlock, thanks to the built in time base corrector.



FEATURES

- HD 1920x1080i and 1280x720p.
- Input configuration: 4 x HD-SDI & 1 x DVI-D or 3 x HD-SDI & 2 x DVI-D.
- 2 x HD-SDI & 1 x HD-Y:U:V HD video output.
- 17-inch multi-image video monitor displaying each source, preview and program.
- Built in digital clock and 5 logo store.
- Lumakey function for text overlay.
- Four XLR microphone or line audio input.
- Picture in Picture function.
- Integrated five channel dual Intercom system with four cameraman belt packs each with dual colour tally light indicator.
- Seamlessly switching between all sources, thanks to the built in TBC & frame synchroniser that synchronizes all inputs without the need for external genlock of the cameras.
- Integrated power distribution centre. Providing a simple and secure solution for connecting all the integrated equipment from a single socket.

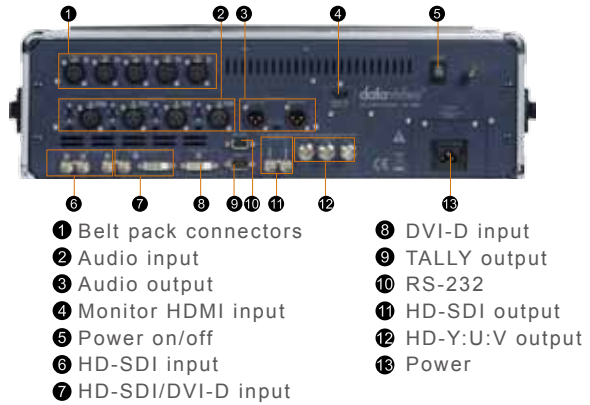
APPLICATIONS



FRONT VIEW



REAR VIEW



Included

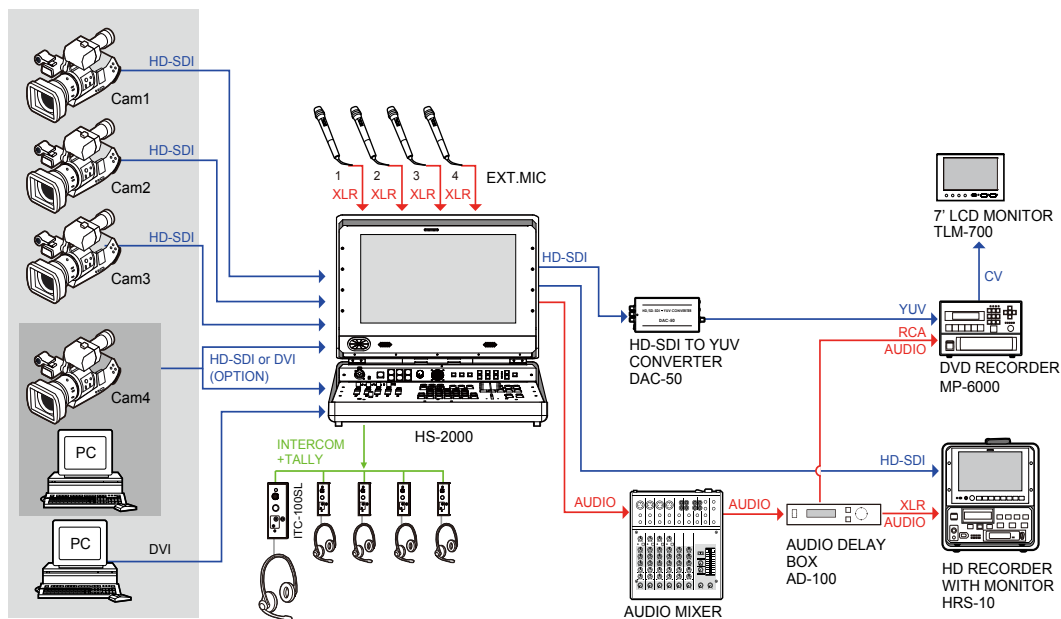


ITC-100SL
Belt Pack

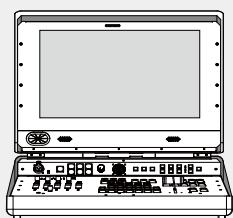


CB-3
20m 5pin Cabling

SYSTEM DIAGRAM



DIMENSION



SIZE: 460x499x139mm
POWER: 100-240V AC 60 Hz
/ 50 Hz 3A 36W Max
WEIGHT: 15KG.

OPTIONAL ACCESSORIES



HRS-10HD
Full HD Hand Carry
Recorder System



TLM-700HD
7" TFT LCD Monitor



AD-100
Audio Delay Box



CG-10
DVI Character
Generator software



MP-6000
DVD+R/ +RW
Recorder



DAC-8
HD-SDI to HDMI
Converter



DAC-9
HDMI to HD-SDI
Converter



DAC-50
HD/SD-SDI to YUV
Converter